



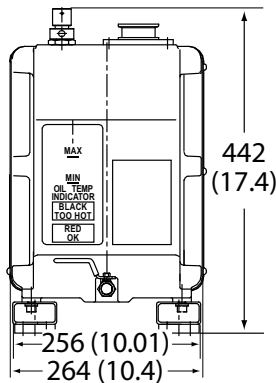
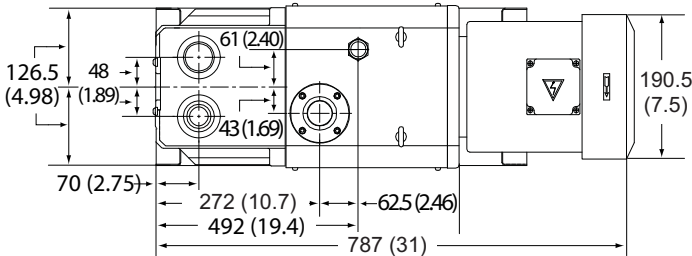
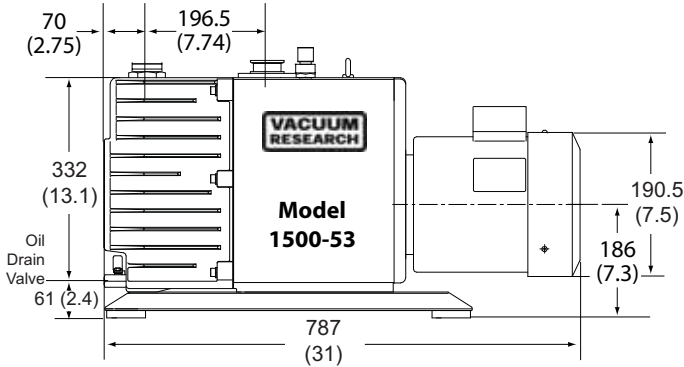
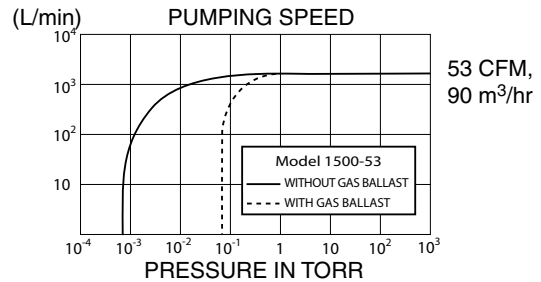
Model 1500-53 has NW-40 flanges for inlet and exhaust ports

Features

- Extremely Quiet • Anti Suck Back Design
- Satisfaction Guaranteed • Two Year Warranty
- Virtually Vibration Free • Motors for Any Voltage
- Complies with Machinery Directive 98/37/EC

Applications

- Plasma Systems • Electron Microscopes
- Vacuum Ovens & Furnaces • Freeze Dryers
- Cluster Tool Load Locks • Backing Turbo Pumps • Sputter & Deposition Systems



mm (inches) shown

| | |
|--------------------------------------|--|
| Pumping Speed @ 60 Hz | 1500 l/min, 53 CFM, 90 m ³ /hr. |
| Pumping Speed @ 50 Hz | 1250 l/min, 44 CFM, 75 m ³ /hr. |
| Ultimate Pressure Gas Ballast Closed | 5 x 10 ⁻⁴ Torr, 6.7x10 ⁻² Pa, .0006 mbar |
| Ultimate Pressure Gas Ballast Open | 5 x 10 ⁻² Torr, 6.7 Pascal, .06 mbar |
| Standard Motor, | 220/380V, 3 phase, 5 hp, 50/60 Hz |
| CE Mark, complies with | Machinery Directive 98/37/EC |
| Optional Motors | See ordering information |
| Power Connection | Junction box |
| Motor speed @ 60 Hz | 1700 r.p.m. |
| Noise Level | 56 dB |
| Water Vapor Tolerance | 40 mbar, 30 Torr |
| Oil capacity | 6200 cc; 6.5 Qt. |
| Lifting Lugs (on center of gravity) | 2 Rings, 3/4" (19 mm) ID, M8 Thread |
| Holes in Base for Lag Bolts | 4 Holes, 0.5" (12 mm) 22"x7" (550x178) |
| Weight Net: 242 lbs., 110 kg | Shipping: 367 lbs., 167 kg |
| Intake & exhaust type/diameter | NW-40 standard (Contact factory for more options) |
| Inlet Screen | Cone Shaped Removable Screen |
| Ambient operating temperature | 7° to 40°C, 45° to 104°F |

Ordering Information

MODEL 1500-53 Vacuum Pump With Motor:

Note: Tolerance is ± 10% of nominal value for all voltages.

200V, 50/60 Hz, 3 phase, 3.7 kw (5 hp)
p/n 1500-CE-200 50/60 \$7960.

220/380V, 50/60 Hz, 3 phase, 3.7 kw (5 hp)
p/n 1500-CE-380 50/60 \$7960.

230/460V, 50/60 Hz, 3 phase, 3.7 kw (5 hp)
p/n 1500-CE-230-460 50/60 \$7960.

Fomblin: For pumps filled with Fomblin PFPE fluid YL VAC 16/6
 add to p/n "Fomblin" and increase the price to **\$11,220.**