

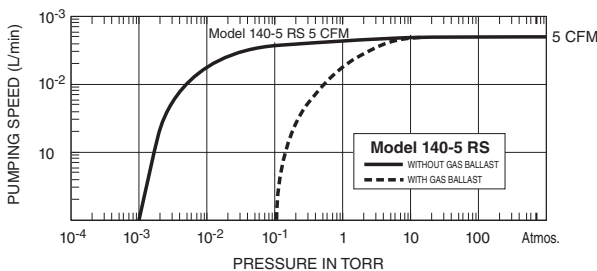


Features

- Extremely Quiet
- Virtually Vibration Free
- Two Year Warranty
- Anti Suck Back Design
- Corrosion Resistant
- Motors for Any Voltage
- Satisfaction Guaranteed
- Complies with Machinery Directive 98/37/EC

Applications

- Refrigeration and A/C Service
- Vacuum Ovens and Furnaces
- Electron Microscopes
- Freeze Dryers
- Cluster Tool Load Locks
- Sputter and Deposition Systems

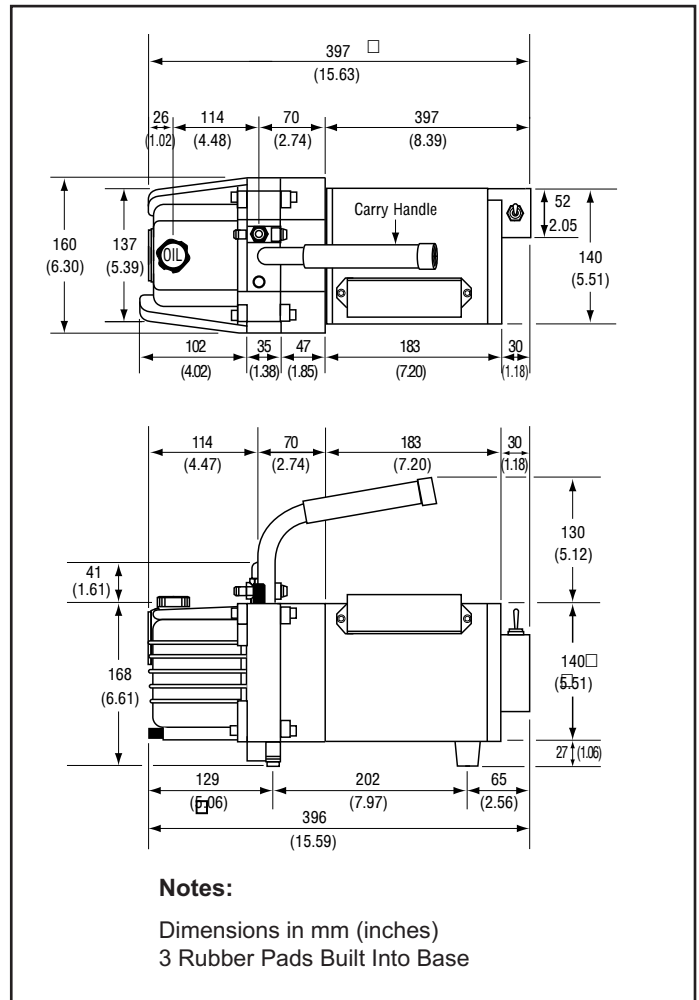


Pumping Speed @ 60 Hz	140 l/min, 5 CFM, 8.5 m ³ /hr.
Ultimate Pressure Gas Ballast Closed	5x10 ⁻³ Torr, .007 mbar, 5 Microns
Ultimate Pressure Gas Ballast Open	5x10 ⁻² Torr, .07 mbar, 50 Microns
Standard Motor, Includes On/Off Switch & Circuit Breaker	115V, 1 phase, 60 Hz, 1/2 hp
CE Mark, complies with	Machinery Directive 98/37/EC
Optional Motor	230V, 1 phase, 50 Hz, 1/2 hp
Power Connection	6 ft. (2 m) 3 conductor cord
Motor speed @ 60 Hz	1700 r.p.m.
Oil capacity	500 cc; 0.53 Qt.
Weight Net: 40 lbs., 18 kg	Shipping wt.: 45 lbs., 21 kg
Intake & exhaust type/diameter	Tee with 1 of 3/8 & 1 of 1/4 in. fittings NW-16 or NW-25 optional
Exhaust	Through Handle
Ambient operating temperature	7° to 40°C, 45° to 104°F

Ordering Information

MODEL 140-5 Rotary Vane Vacuum Pump

p/n 140-115-60 115V, 60 Hz, 1 phase, 1/2 hp \$900.
 p/n 140-230-60 230V, 50 Hz, 1 phase, 1/2 hp \$900.
NW-16 or NW-25 Intake instead of tube tee described in specifications. Order as a separate item: P/N 140-16 or P/N 140-25 . . . \$70.
 NW-16 and NW-25 intake flanges face the side of the pump.



Notes:

Dimensions in mm (inches)
 3 Rubber Pads Built Into Base