

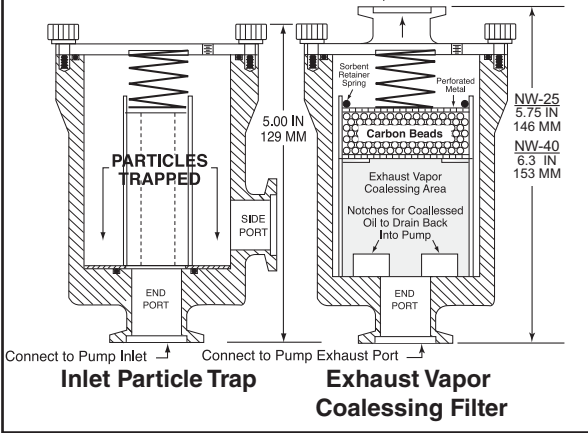
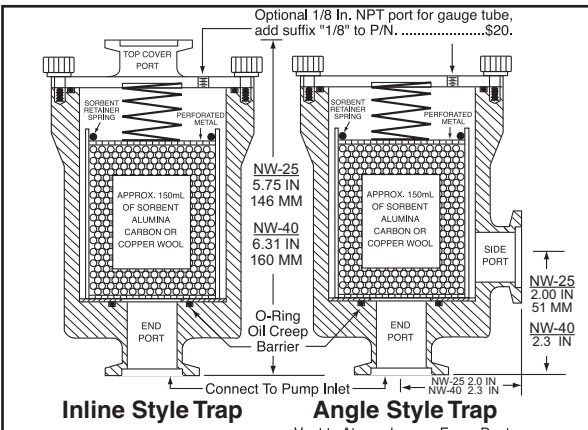


# Foreline Traps to Keep Pump Vapor Out of Your System



Left to right: Angle style with optional Pirani/TC tube, Inline style trap with NW-25, Angle style with 1 inch hose connections

- Select Copper Wool, Activated Alumina or Carbon
- Available in Both Right Angle and Inline Styles
- Orient in Any Direction, Spring Loaded Sorbent Bed
- Positive Creep Proof Design with O-Ring Seal
- Fits Pumps up to 21 CFM, 36 m<sup>3</sup>/Hr, 600 l/min.
- Leak Tested to Better than 2 X 10<sup>-9</sup> scc/sec
- Any Mix of Ports for Rubber Hose or NW Flanges
- No Tools Needed For Easy Sorbent Replacement
- Aluminum Body and Sorbent Basket; 316 SS Spring



Inline Trap		Exhaust Vapor Coalescing Filter		Port Size & Flange Style
Part Number	Price	Any Angle or Inline P/N ..... \$396.		
INLINE TRAP 16	.....\$376.	ANG EX COALES 16	INL EX COALES 16	NW-16 Flange
INLINE TRAP 25	.....\$376.	ANG EX COALES 25	INL EX COALES 25	NW-25 Flange
INLINE TRAP 3/4	.....\$376.	ANG EX COALES 3/4	INL EX COALES 3/4	3/4" Outside Diam.
INLINE TRAP 1.0	.....\$376.	ANG EX COALES 1.0	INL EX COALES 1.0	1" Outside Diam.
INLINE TRAP 40	.....\$535.	NOT AVAILABLE	NOT AVAILABLE	NW-40 Flange

Angle Trap		Inlet Particle Trap		Port Size & Flange Style
Part Number	Price	Part Number	Price	
ANGLE TRAP 16	.....\$376.	ANG TRAP PART 16	.....\$356.	NW-16 Flange
ANGLE TRAP 25	.....\$376.	ANG TRAP PART 25	.....\$356.	NW-25 Flange
ANGLE TRAP 3/4	.....\$376.	ANG TRAP PART 3/4	.....\$356.	3/4" Outside Diam.
ANGLE TRAP 1.0	.....\$376.	ANG TRAP PART 1.0	.....\$356.	1" Outside Diam.
ANGLE TRAP 40	.....\$535.	ANG TRAP PART 40	.....\$535.	NW-40 Flange

Also available with mixed flanges, such as: NW-16 on one port and NW-25 on the other. Specify Alumina, Carbon or Copper Wool Sorbent.

### Replacement Sorbent and Spare Parts

Description	Part #	Price	Description	Part #	Price
Active Alumina Sorbent, approximately 300 ml (two charges)	V801163	\$25.	Sorbent Basket Assembly (without sorbent)	V801160	\$87.
Activated Carbon Sorbent, approximately 300 ml (two charges)	V801164	\$24.	Particle Trap Standpipe	V74050	\$66.
Copper Wool Sorbent, approximately 300 ml (two charges)	V801165	\$35.	Top Cover O-Ring	V206141	\$3.
			Sorbent Basket O-Ring	V206142	\$4.
			Spring	V308654	\$10.
			Thumb Screws, set of 4	V801162	\$3.

One container of two sorbent charges is included with each trap.



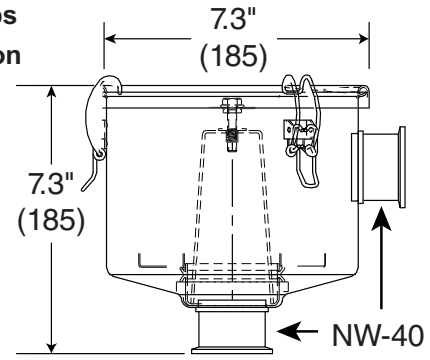
Inlet Trap with NW-40 Flanges

## Pump Inlet Traps Keep Process Debris out of Pump

- Use with Vane, Piston & Scroll Vacuum Pumps
- Safeguards From Particles and Contamination
- Protect Vacuum System from Backstreaming
- Ideal for Trapping of Condensable Vapors

VRC's low cost inlet traps protect your pump from damage due to process debris entering the pump. Easy to change fiberglass or alumina element and high flow NW-40 ports. Install in any orientation.

- P/N: INLET TRAP 40 FIBERGLASS .....\$660.
- P/N: INLET TRAP 40 ALUMINA .....\$660.
- Replacement Fiberglass Element**
- P/N: RV801268 .....\$21.





**VPO-3000 Vacuum Pump Fluid**

This hydrocarbon vacuum pump fluid is intended for use in VRC Rotary Vane Pumps. Our VPO-3000 fluid is a narrow cut distillation fraction that gives good ultimate vacuum with low back-streaming yet it provides the excellent lubrication needed for long pump life.

VPO-3000 is a good choice in a wide variety of general and special vacuum services that require frequent pumpdown cycles including optical film coating, heat treating furnaces, vacuum ovens, decorative coatings by evaporation, sputtering and LPCVD.

**Specifications VPO-3000**

Vapor Pressure (Torr) @ 25°C ..... 1 x 10<sup>-6</sup>  
 Boiling Point @ 0.01 Torr ..... 130 °C  
 Pour Point ..... -13 °C  
 Flash Point ..... 241 °C  
 Fire Point ..... 253 °C  
 Specific Gravity (g/cc) ... 0.872

Viscosity (cSt/SUS) @40 °C/100 °F ..... 63.9/320 @100 °C/210 °F ... 8.5/54  
 Form ..... Clear amber liquid  
 Hazardous Decomposition ..... None  
 Incompatibility ..... Flame  
 Hazardous Ingredients ... None

Size / Volume	Part Number	Price
1 gallon (3.8 liter)	VPO-3000GAL	\$28.00
5 gallon pail (18.9 liter)	VPO-30005GAL	\$140.00



**VPF-1000 Vacuum Pump Flushing Fluid**

This flushing fluid was developed to improve and simplify cleaning procedures for VRC Rotary Vane Pumps. This low viscosity fluid will flush out particulates and residuals that usually settle in the bottom of pumps.

Flushing with VPF-1000 is recommended during oil changes before the addition of the new fluid as part of a regular preventive maintenance program. Such regular use improves the service life of all mechanical pumps. It is recommended that the pump be drained while hot, filled with flushing fluid and run for about 10 minutes to properly flush. The pump is then immediately drained again and refilled with our VPO-3000.

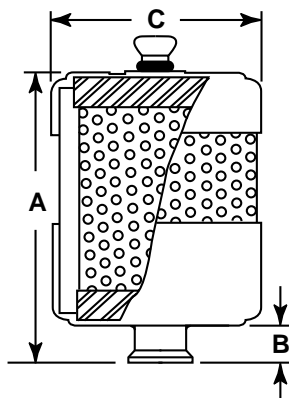
**Specifications VPF-1000**

Vapor Pressure (Torr) @ 25°C ..... 1 x 10<sup>-5</sup>  
 Boiling Point @ 0.01 Torr ..... 112 °C  
 Pour Point ..... -15 °C  
 Flash Point ..... 218 °C  
 Fire Point ..... 244 °C  
 Specific Gravity (g/cc) ... 0.860

Viscosity (cSt/SUS) @40 °C/100 °F ..... 28/150 @100 °C/210 °F ... 4.5/41  
 Form ..... Clear amber liquid  
 Hazardous Decomposition ..... None  
 Incompatibility ..... Flame  
 Hazardous Ingredients ... None

Size / Volume	Part Number	Price
1 gallon (3.8 liter)	VPF-1000GAL	\$24.00
5 gallon pail (18.9 liter)	VPF-10005GAL	\$115.00

**Exhaust Mist Eliminators**



For 100-3.5 & 200-7 Pumps  
 Model Ex. Fil. **NW-25 7 cfm**, P/N RV810220 .....\$211.  
 For 400-14 Pumps  
 Model Ex. Fil. **NW-25 14 cfm**, P/N RV810230.....\$265.  
 For Applications with High Flow  
 Model Ex. Fil. **NW-25**, P/N RV810250 .....\$340.  
 For 600-21, 800-28, 1000-35, 1500-53 & 1800-64 Pumps  
 Model Ex. Fil. **NW-40 64 cfm**, P/N RV810240....\$481.

**Replacement Fiberglass Elements**

Model RPL. Elem. 7 cfm P/N RV810221 (4.0 in. high X 2.2 in. O.D.).....\$42.  
 Model RPL. Elem. 14 cfm P/N RV810231 (3.8 in. high X 4.0 in. O.D.).....\$67.  
 Model RPL. Elem. 64 cfm P/N RV810241 (4.75 in. high X 9.2 in. O.D.).....\$176.  
 Model RPL. Elem. Hi Flo P/N RV810251 (6.15 in. high X 4.0 in. O.D.).....\$67.

Dimensions					
P/N	A Height	B	C Diameter	Flanges	Flow
RV 810220	5.5	0.88	2.5	NW-25	3.5 or 7 cfm pumps
RV 810230	5.25	0.88	5.13	NW-25	10 to 14 cfm pumps High Flow Applications
RV 810240	7.13	2.13	10.25	NW-40	20 to 64 cfm pumps
RV 810250	9.25	0.88	5.13	NW-25	High Flow Applications